

Hinge for Large Upright Sliding Window

150kg Type 100kg Type 60kg Type

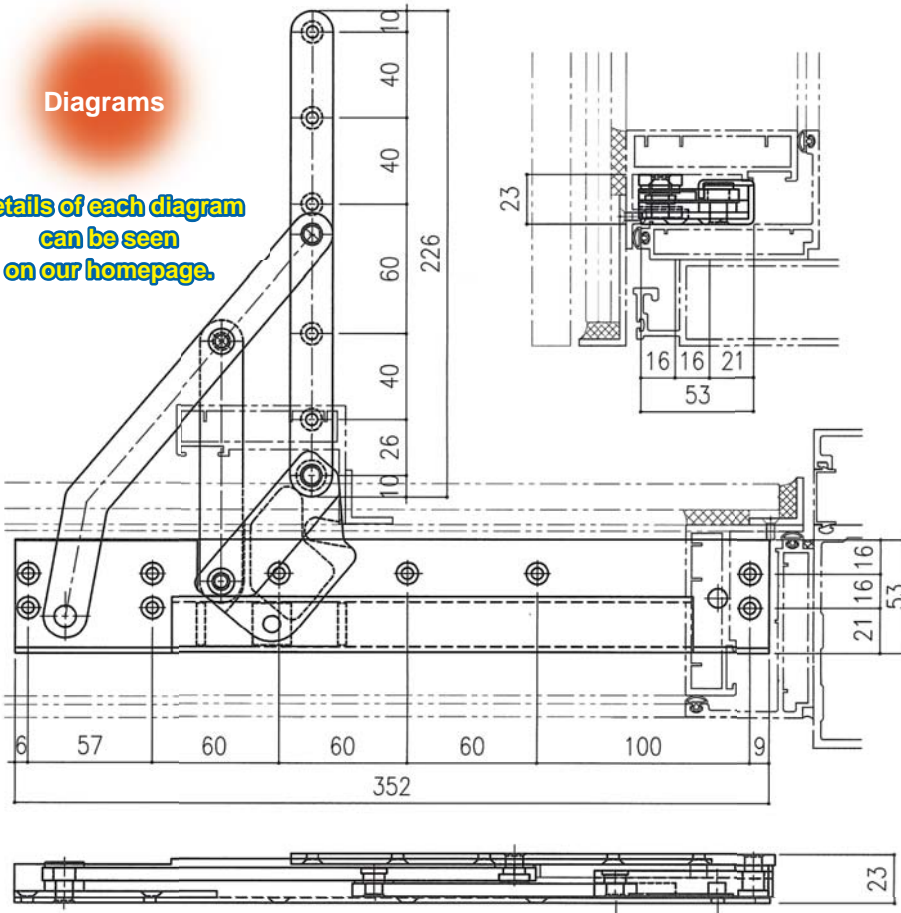


150kg Type

W=2000, H=3000 Maximum Size

Diagrams

Details of each diagram can be seen on our homepage.



0°



45°



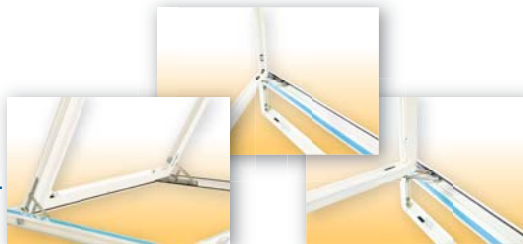
90°



*This aluminium mold material may be unusable in some cases.

*We will provide a strength calculation sheet.

*Depending on wind pressure and other specs, installation of a regulator may also be necessary.



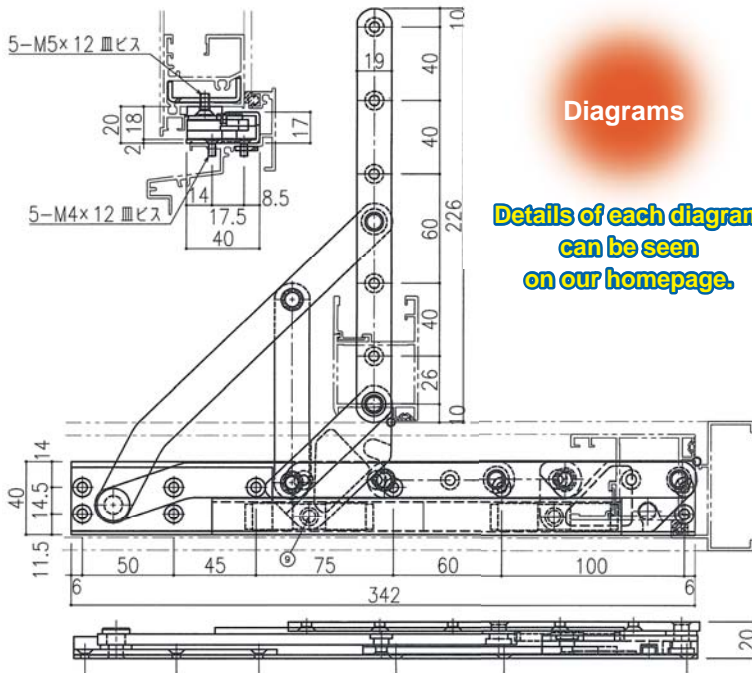
We will also provide other necessary drawings including the cremorne emergency entrance handle.



日研工業株式会社
NIKKEN KOGYO



100kg Type W=1800, H=2500 Maximum Size



Diagrams

Details of each diagram
can be seen
on our homepage.

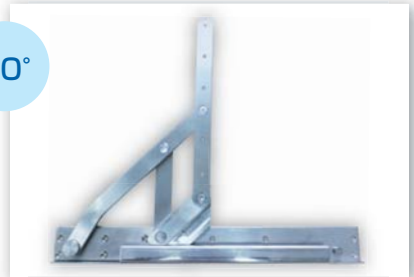
0°



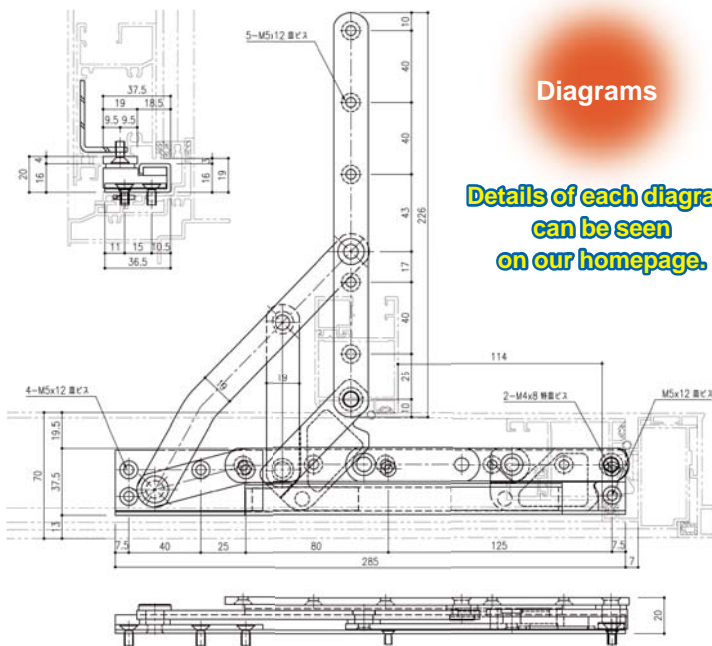
45°



90°



60kg Type W=1100, H=1800 Maximum Size



Diagrams

Details of each diagram
can be seen
on our homepage.

0°



45°



90°



Contact

NIKKEN KOGYO

Tokyo office 1-3-3, Narihira, Sumida-ku, Tokyo, 130-0002, Japan
TEL 03-3623-6029
FAX 03-3624-9166

Osaka Factory 5-5-11, Kizuri, Higashiosaka-shi, Osaka, 577-0827, Japan
TEL 06-6728-7698
FAX 06-6720-4465

U R L <http://www.nikken-kogyo.co.jp/>
<http://www.nikken-kogyo.co.jp/chinese/> (Chinese)